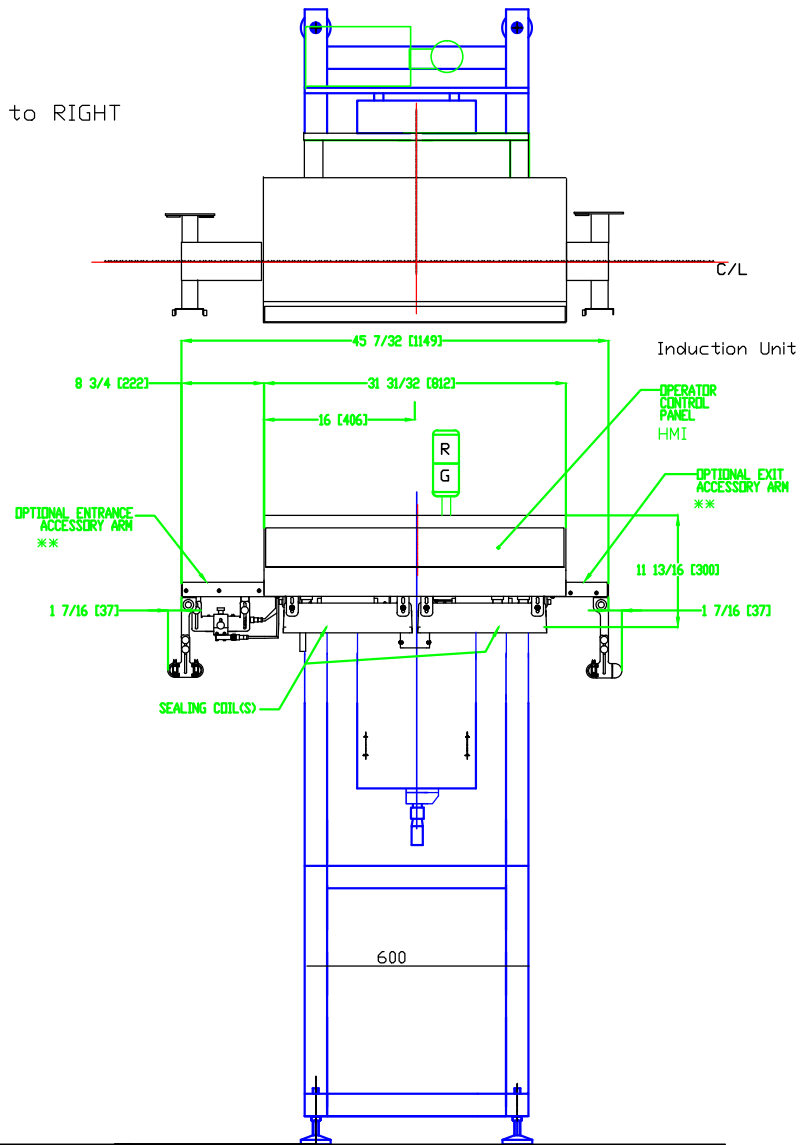
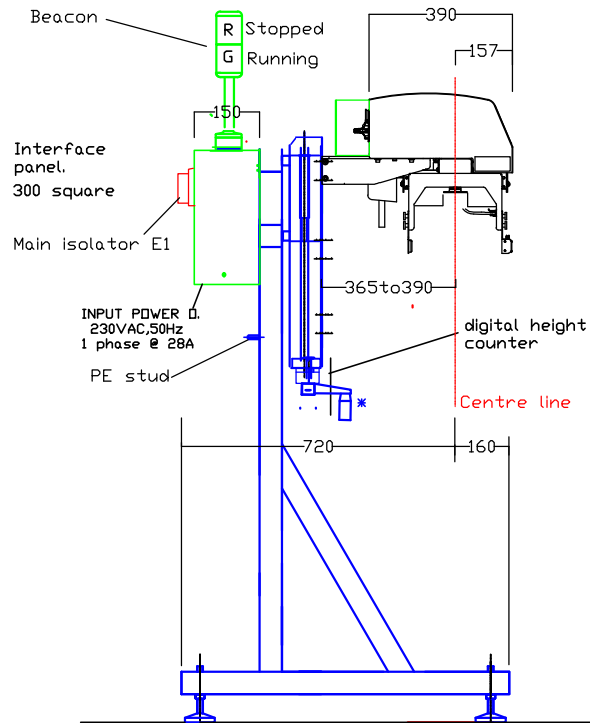


*300 Fine adjustment on handwheel plus 400 coarse adjustment by selecting high/middle or low fixings.

** Sensor arm assemblies are shown for bottle flow LEFT to RIGHT Will be interchanged for RIGHT to LEFT flow.



Title General Arrangement Drawing
 Super Seal Max Touch



Enercon Industries Ltd
 62-64 Edison Road
 Aylesbury, Bucks HP19 8UX
 Tel:+44(0)1296 330542
 Fax:+44(0)1296 432098.

Contract No. STANDARD

Drawing No. 601/MAX-TOUCH

Issue 1 10-15
 Sheet of